

P6 Pro Series

P6 Universal Nema 4 Pressure Sensor

0-5", 15", and 40" W.C. ranges; 10 selectable sub-ranges
 0-1250, 3750, and 10000 Pa ranges; 10 selectable sub-ranges
 LCD display and LED indicator
 Nema 4X enclosure (Duct/port version)



DESCRIPTION

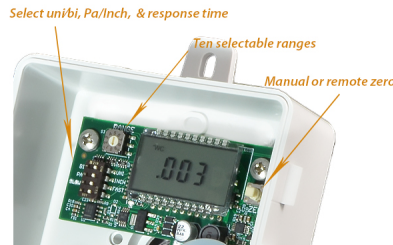
The P6 universal dry media pressure transmitter accurately measures multiple ranges optimized for building (zone) pressure, filter measurement, and static duct applications. Selectable outputs and uni/bi directional readings reduce inventory. Conduit ready Nema 4 enclosure for harsh environments.

APPLICATIONS

- Building (zone) pressure
- Filter condition measurement
- Duct/static
- Wash down environments



Rugged Enclosure



Select measurement & response time. Ten selectable ranges and manual or remote zero.



Made in USA - 7 year warranty

FEATURES

- Selectable 4-20 mA loop-powered, 4-20 mA 3-wire, 0-5VDC, 0-10VDC for compatibility
- 10 field selectable pressure ranges to address a wide range of applications with high resolution
- Field selectable Pa or WC" display
- Zero calibration push button and remote contact input
- Models for duct or remote probe applications
- Selectable fast/slow response rate (2s fast, 8s slow)
- Non-position sensitive for easy placement
- Conduit ready or use included water tight cable gland
- LED: Power heartbeat, momentary rapid flash = autozero complete, continual rapid flash = 110% over pressure

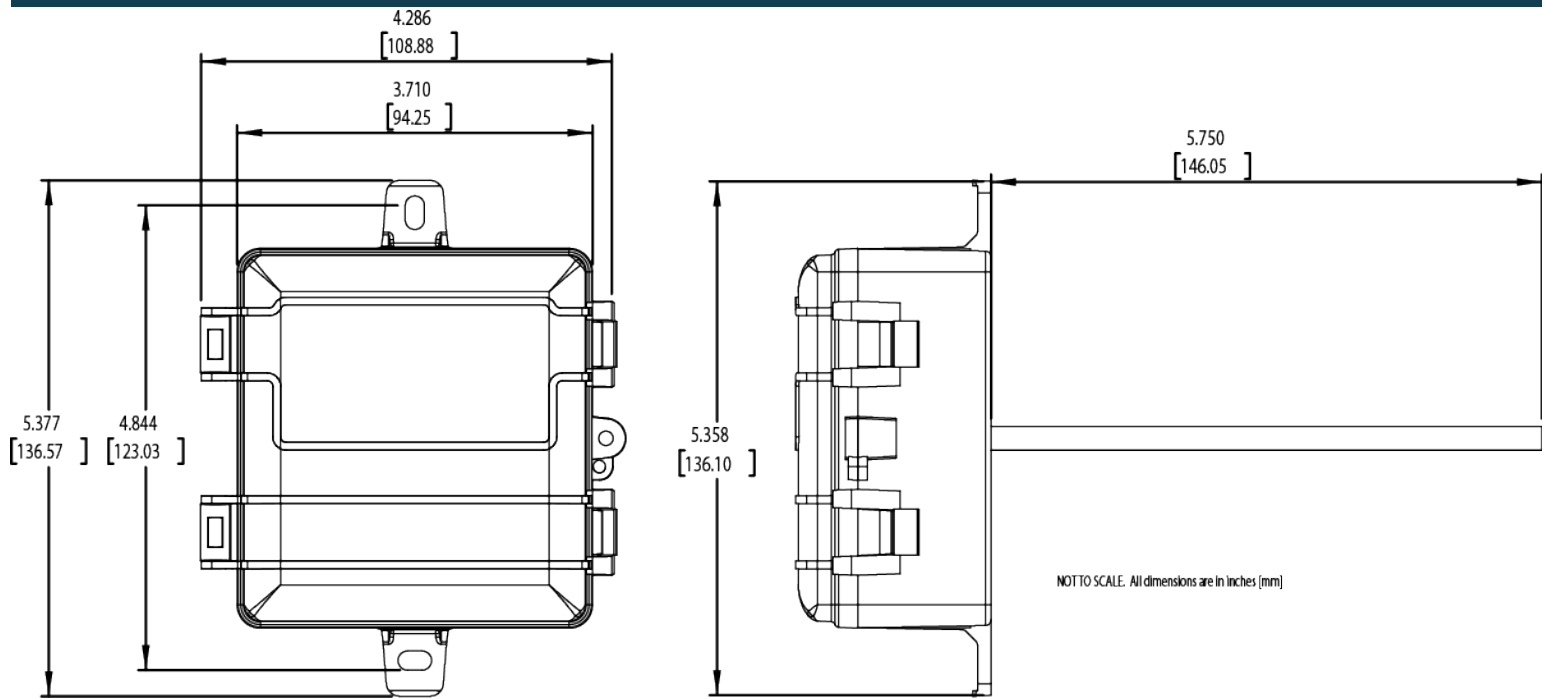
ORDERING

P6 - -

Pressure Range **Accuracy** **Display** **Duct Probe**

0500 = 0-5" (10 selectable sub ranges) 1 = 1% of range L = LCD P = Duct Probe
 1500 = 0-15" (10 selectable sub ranges) X = dual brass
 4000 = 0-40" (10 selectable sub ranges)

DIMENSIONS



Warning: The datasheet is designed for reference only. Refer to installation instructions that accompany the product and heed all safety instructions. Product improvement is a continuing process at Senva. Changes may occur to products without prior notice

SPECIFICATIONS		
Power Supply		12-30VDC/24VAC (1), 30mA max.
Output type	Selectable outputs	4-20 mA loop powered, 4-20 mA 3-wire, 0-5VDC, 0-10VDC
Output scaling	Max range (selectable sub ranges)	0-5" (0.1/0.25/0.5/1/1.5/2/2.5/3/4/5"wc), 0-1250Pa (25/50/125/250/375/500/625/750/1000/1250 Pa) 0-15" (0.25/0.5/1/2.5/3/4/5/8/10/15"wc) 0-3750Pa (50/125/250/625/750/1000/1250/2000/2500/3750 Pa) 0-40" (1/2.5/5/8/10/15/20/25/30/40"wc) 0-10000Pa (250/625/1250/2000/2500/3750/5000/6250/7500/10000 Pa)
Operating Temperature	Operating range	-4 to 140F (-20 to 60°C)
	Compensated range	-4 to 140F (-20 to 60°C)
Media compatibility		Dry, oil-free air, N2
Sensor Type		MEMS silicon piezoresistive; precision calibrated
Sensor Performance	Accuracy	±1.0% of selected range (combined linearity and hysteresis)
	Zero Tolerance	Included in accuracy specification
	Span Tolerance	±1.00%
	Zero Drift (1 year)	0.004"WC/year max. 0.4% for units >0.5"w.c.
	Auto-zero input	Push-button and contact closure
	Thermal Shift (Zero and Span)	0.02% FSO/°C (0.01%FSO/°F) measured from 22°C (72°F)
	Overpressure	up to 5" models: 41.5"w.c.; 10" models: 133"w.c.; 25" models: 332"w.c.
	Max Static Line Pressure	up to 5" models: 41.5"w.c.; 10" models: 133"w.c.; 25" models: 332"w.c.
	Burst Pressure	up to 5" models: 83"w.c.; 10" models: 166"w.c.; 25" models: 415"w.c.
	Position Sensitivity	Non-position sensitive
Auto-zero input	Push-button and N.O. contact closure	
Response Rate	Selectable	Fast = 2 seconds, slow = 8 seconds
Dimensions		4.0"h x 3.7"w x 2.1"d
Agency	Compliance	CE, RoHS
Enclosure	Flammability	UL94 5VB
	Environmental	NEMA 4X

(1) One side of transformer secondary is connected to signal common. Dedicated transformer is recommended.

* Product improvement is a continual process as Senva and product features and specification may change without prior notice. Refer to instructions that accompany the product for installation and wiring.